

Unijet® SPRAY NOZZLE TIP

FLAT SPRAY



T
FEMALE BODY
OR



TT
MALE BODY



SCREEN STRAINER



SPRAY TIP
(See Chart)



TIP RETAINER

PERFORMANCE DATA

Spray Angle at 3 bar	Capacity Size	Equiv. Orifice Diam. mm	CAPACITY (liters per minute)											SPRAY ANGLE			
			0.3 bar	1 bar	2 bar	3 bar	4 bar	5 bar	6 bar	7 bar	10 bar	20 bar	35 bar	1.5 bar	3 bar	6 bar	14 bar
110°	11001	0.66	0.12	0.23	0.32	0.39	0.46	0.51	0.56	0.60	0.72	1.0	1.3	94°	110°	121°	124°
	110015	0.79	0.19	0.34	0.48	0.59	0.68	0.76	0.84	0.90	1.1	1.5	2.0	82°	95°	105°	113°
	11002	0.91	0.25	0.46	0.64	0.79	0.91	1.0	1.1	1.2	1.4	2.0	2.7	82°	95°	105°	113°
	11003	1.1	0.37	0.68	0.97	1.2	1.4	1.5	1.7	1.8	2.2	3.1	4.0	83°	95°	104°	111°
	11004	1.3	0.50	0.91	1.3	1.6	1.8	2.0	2.2	2.4	2.9	4.1	5.4	84°	95°	103°	108°
	11005	1.4	0.62	1.1	1.6	2.0	2.3	2.5	2.8	3.0	3.6	5.1	6.7	84°	95°	102°	107°
	11006	1.6	0.75	1.4	1.9	2.4	2.7	3.1	3.3	3.6	4.3	6.1	8.1	86°	95°	101°	106°
	11008	1.8	1.0	1.8	2.6	3.2	3.6	4.1	4.5	4.8	5.8	8.2	10.8	87°	95°	100°	105°
	11010	2.0	1.2	2.3	3.2	3.9	4.6	5.1	5.6	6.0	7.2	10.2	13.5	89°	95°	100°	105°
	11015	2.4	1.9	3.4	4.8	5.9	6.8	7.6	8.4	9.0	10.8	15.3	20	90°	95°	100°	105°
	11020	2.8	2.5	4.6	6.5	7.9	9.1	10.2	11.2	12.1	14.4	20	27	90°	95°	100°	105°
11030	3.6	3.7	6.8	9.7	11.8	13.7	15.3	16.7	18.1	22	31	40	91°	95°	101°	105°	
95°	9501	0.66	0.12	0.23	0.32	0.39	0.46	0.51	0.56	0.60	0.72	1.0	1.3	81°	95°	105°	113°
	95015	0.79	0.19	0.34	0.48	0.59	0.68	0.76	0.84	0.90	1.1	1.5	2.0	82°	95°	105°	113°
	9502	0.91	0.25	0.46	0.64	0.79	0.91	1.0	1.1	1.2	1.4	2.0	2.7	82°	95°	105°	113°
	9503	1.1	0.37	0.68	0.97	1.2	1.4	1.5	1.7	1.8	2.2	3.1	4.0	83°	95°	104°	111°
	9504	1.3	0.50	0.91	1.3	1.6	1.8	2.0	2.2	2.4	2.9	4.1	5.4	84°	95°	103°	108°
	9505	1.4	0.62	1.1	1.6	2.0	2.3	2.5	2.8	3.0	3.6	5.1	6.7	84°	95°	102°	107°
	9506	1.6	0.75	1.4	1.9	2.4	2.7	3.1	3.3	3.6	4.3	6.1	8.1	86°	95°	101°	106°
	9508	1.8	1.0	1.8	2.6	3.2	3.6	4.1	4.5	4.8	5.8	8.2	10.8	87°	95°	100°	105°
	9510	2.0	1.2	2.3	3.2	3.9	4.6	5.1	5.6	6.0	7.2	10.2	13.5	89°	95°	100°	105°
	9515	2.4	1.9	3.4	4.8	5.9	6.8	7.6	8.4	9.0	10.8	15.3	20	90°	95°	100°	105°
	9520	2.8	2.5	4.6	6.5	7.9	9.1	10.2	11.2	12.1	14.4	20	27	90°	95°	100°	105°
	9530	3.6	3.7	6.8	9.7	11.8	13.7	15.3	16.7	18.1	22	31	40	91°	95°	101°	105°
	9540	4.0	5.0	9.1	12.9	15.8	18.2	20	22	24	29	41	54	92°	95°	100°	105°
	9550	4.4	6.2	11.4	16.1	19.7	23	25	28	30	36	51	68	93°	95°	99°	103°
9560	4.8	7.5	13.7	19.3	24	27	31	33	36	43	61	81	93°	95°	99°	103°	
9570	5.2	8.7	16.0	23	28	32	36	39	42	50	71	94	93°	95°	99°	103°	
80°	800050	0.46	0.11	0.16	0.20	0.23	0.25	0.28	0.30	0.36	0.51	0.67	0.90	61°	80°	95°	101°
	800067	0.53	0.15	0.22	0.26	0.31	0.34	0.37	0.40	0.48	0.68	0.90	0.90	67°	80°	94°	99°
	8001	0.66	0.23	0.32	0.39	0.46	0.51	0.56	0.60	0.72	1.0	1.3	1.3	68°	80°	89°	92°
	80015	0.79	0.34	0.48	0.59	0.68	0.76	0.84	0.90	1.1	1.5	2.0	2.0	68°	80°	89°	92°
	8002	0.91	0.25	0.46	0.64	0.79	0.91	1.0	1.1	1.2	1.4	2.0	2.7	69°	80°	88°	91°
	8003	1.1	0.37	0.68	0.97	1.2	1.4	1.5	1.7	1.8	2.2	3.1	4.0	70°	80°	87°	90°
	8004	1.3	0.50	0.91	1.3	1.6	1.8	2.0	2.2	2.4	2.9	4.1	5.4	71°	80°	86°	89°
	8005	1.4	0.62	1.1	1.6	2.0	2.3	2.5	2.8	3.0	3.6	5.1	6.7	71°	80°	86°	89°
	8006	1.6	0.75	1.4	1.9	2.4	2.7	3.1	3.3	3.6	4.3	6.1	8.1	72°	80°	85°	88°
	8008	1.8	1.0	1.8	2.6	3.2	3.6	4.1	4.5	4.8	5.8	8.2	10.8	72°	80°	84°	87°
	8010	2.0	1.2	2.3	3.2	3.9	4.6	5.1	5.6	6.0	7.2	10.2	13.5	73°	80°	84°	87°
	8015	2.4	1.9	3.4	4.8	5.9	6.8	7.6	8.4	9.0	10.8	15.3	20	74°	80°	83°	86°
	8020	2.8	2.5	4.6	6.5	7.9	9.1	10.2	11.2	12.1	14.4	20	27	74°	80°	83°	86°
	8030	3.6	3.7	6.8	9.7	11.8	13.7	15.3	16.7	18.1	22	31	40	74°	80°	83°	86°
8040	4.0	5.0	9.1	12.9	15.8	18.2	20	22	24	29	41	54	74°	80°	83°	86°	
8050	4.4	6.2	11.4	16.1	19.7	23	25	28	30	36	51	68	74°	80°	83°	85°	
8060	4.8	7.5	13.7	19.3	24	27	31	33	36	43	61	81	75°	80°	83°	85°	
8070	5.2	8.7	16.0	23	28	32	36	39	42	50	71	94	75°	80°	83°	86°	
73°	730023	0.30	0.05	0.07	0.09	0.10	0.11	0.12	0.14	0.17	0.23	0.31	0.31	50°	73°	89°	97°
	730039	0.41	0.09	0.13	0.15	0.18	0.20	0.22	0.24	0.28	0.40	0.53	0.53	53°	73°	87°	93°
	730077	0.56	0.18	0.25	0.30	0.35	0.39	0.43	0.46	0.55	0.78	1.0	1.0	53°	73°	86°	92°
	730116	0.71	0.14	0.26	0.37	0.46	0.53	0.59	0.65	0.70	0.84	1.2	1.6	54°	73°	85°	90°
	730154	0.81	0.19	0.35	0.50	0.61	0.70	0.78	0.86	0.93	1.1	1.6	2.1	55°	73°	84°	88°
	730231	1.0	0.29	0.53	0.74	0.91	1.1	1.2	1.3	1.4	1.7	2.4	3.1	56°	73°	83°	87°
	730308	1.1	0.38	0.70	0.99	1.2	1.4	1.6	1.7	1.9	2.2	3.1	4.2	58°	73°	82°	86°
	730385	1.3	0.48	0.88	1.2	1.5	1.8	2.0	2.1	2.3	2.8	3.9	5.2	59°	73°	81°	85°
	730462	1.4	0.58	1.1	1.5	1.8	2.1	2.4	2.6	2.8	3.3	4.7	6.2	60°	73°	80°	84°
	730616	1.7	0.77	1.4	2.0	2.4	2.8	3.1	3.4	3.7	4.4	6.3	8.3	63°	73°	79°	83°
	730770	1.8	0.96	1.8	2.5	3.0	3.5	3.9	4.3	4.6	5.5	7.8	10.4	64°	73°	77°	82°
730924	2.0	1.2	2.1	3.0	3.6	4.2	4.7	5.2	5.6	6.7	9.4	12.5	65°	73°	77°	80°	
65°	650017	0.28	0.05	0.06	0.07	0.08	0.09	0.10	0.12	0.17	0.23	0.23	0.23	44°	65°	77°	86°
	650025	0.33	0.08	0.10	0.11	0.13	0.14	0.15	0.18	0.25	0.34	0.34	0.34	45°	65°	77°	84°
	650033	0.38	0.11	0.13	0.15	0.17	0.18	0.20	0.22	0.24	0.34	0.44	0.44	47°	65°	76°	83°
	650050	0.46	0.16	0.20	0.23	0.25	0.28	0.30	0.36	0.51	0.67	0.67	0.67	48°	65°	75°	82°
	650067	0.53	0.15	0.22	0.26	0.31	0.34	0.37	0.40	0.48	0.68	0.90	0.90	50°	65°	75°	81°
	6501	0.66	0.23	0.32	0.39	0.46	0.51	0.56	0.60	0.72	1.0	1.3	1.3	51°	65°	74°	80°
	65015	0.79	0.34	0.48	0.59	0.68	0.76	0.84	0.90	1.1	1.5	2.0	2.0	51°	65°	74°	80°
	6502	0.91	0.25	0.46	0.64	0.79	0.91	1.0	1.1	1.2	1.4	2.0	2.7	52°	65°	73°	79°
	6503	1.1	0.37	0.68	0.97	1.2	1.4	1.5	1.7	1.8	2.2	3.1	4.0	53°	65°	72°	78°
	6504	1.3	0.50	0.91	1.3	1.6	1.8	2.0	2.2	2.4	2.9	4.1	5.4	53°	65°	72°	76°
	6505	1.4	0.62	1.1	1.6	2.0	2.3	2.5	2.8	3.0	3.6	5.1	6.7	53°	65°	72°	76°
6506	1.6	0.75															

AutoJet®

AUTOMATIC SPRAY GUNS—AIR OPERATION MEDIUM PRESSURE

22AUH

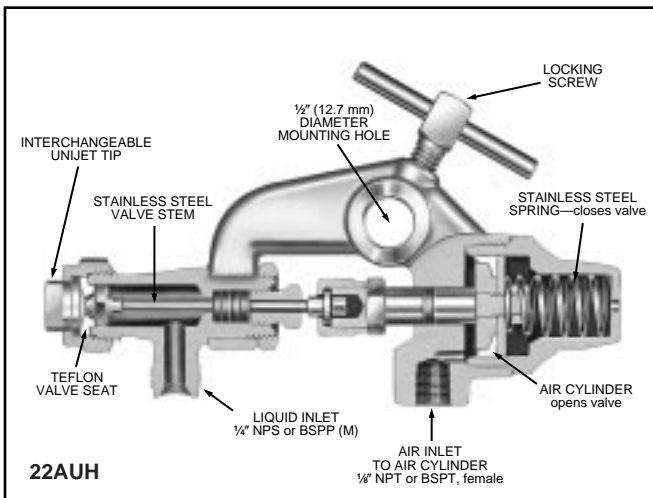
Cycles/Min.: 180
Pressure: 600 psi (40 bar)
Capacity: 5 gpm (19 l/min)

22AUH-SS

Cycles/Min.: 180
Pressure: 600 psi (40 bar)
Capacity: 5 gpm (19 l/min)



DESIGN FEATURES



22AUH

Model 22AUH AutoJets feature a 1/2" (12.7 mm) diameter mounting hole and locking screw for quick installation and positioning on a mounting bar. They are constructed of brass with nickel-plated external surfaces. The valve seat and packing are made of TEFLON and the valve stem is made of stainless steel. A variety of flat spray, hollow cone,

and full cone spray tips are available. Write for Data Sheets 8605 and 18183.

Model 22AUH-SS AutoJets offer the same performance characteristics as the 22AUH and are constructed with an inlet body and cap assembly of stainless steel.

22AUH-SS-11024

Cycles/Min.: 180
Pressure: 600 psi (40 bar)
Capacity: 5 gpm (19 l/min)

22AUH-SS-14799

Cycles/Min.: 180
Pressure: 800 psi (55 bar)
Capacity: 2 gpm (7.6 l/min)



Model 22AUH-SS-11024 offers the same spray performance as the standard Model 22AUH AutoJet. Special construction features two liquid inlets which allow continuous recirculation of the sprayed liquid between the nozzle and the liquid supply. Write for Data Sheet 11115.

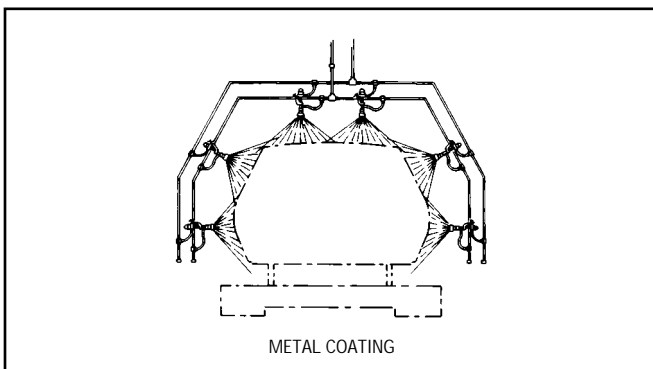


Model 22AUH-SS-14799 features an additional adjusting screw which can limit the stroke of the shut-off needle to control response time more precisely. Shortened response time is important for accurate spot placement of the spray pattern. Write for Data Sheet 15343.

Model 22AUH automatic air actuated spray nozzles provide a controlled intermittent liquid spray using only liquid pressure as the force for atomization. An internal air cylinder automatically interrupts the liquid flow at any

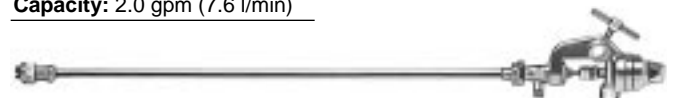
desired frequency up to 180 cycles per minute. A minimum air pressure of 45 psi (3 bar) is required for the air cylinder. The gun operates at liquid pressures up to 600 psi (40 bar).

COMMON APPLICATIONS



22AUH-7676

Cycles/Min.: 180
Pressure: 250 psi (17 bar)
Capacity: 2.0 gpm (7.6 l/min)



Model 22AUH-7676 offers the same basic design, but is equipped with an extension in a choice of lengths. The stainless steel valve stem extends throughout the length of the extension

and the valve seat is directly behind the spray tip, for instantaneous, drip-free control. The 22AUH-7676 operates at liquid pressures up to 250 psi (17 bar). Write for Data Sheet 8286.